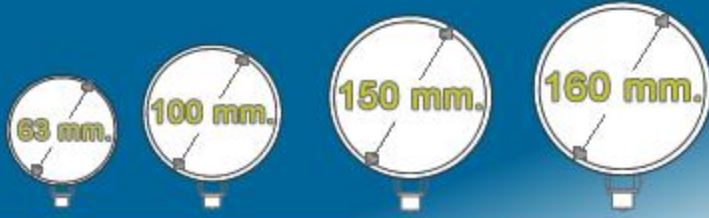


Stainless Steel Pressure Gauge



▶ **MN-S**
MN-P

- ✦ All Stainless Steel Inside bayonet Corrosion-proof pressure gauge
- ✦ All Stainless Steel Inside bayonet Vibration-proof bayonet Corrosion-proof pressure gauge
- ✦ Inside bayonet General Vibration-proof pressure gauge



General

TEPO All stainless steel vibration-proof pressure gauge could measure the pressure of the corrosion gas and liquid or be applied to the occasion with dynamic load and vibration. General vibration-proof pressure gauge is applied to the occasion with dynamic load and vibration or to measure the pressure of gas and liquid which can not corrode copper alloy.

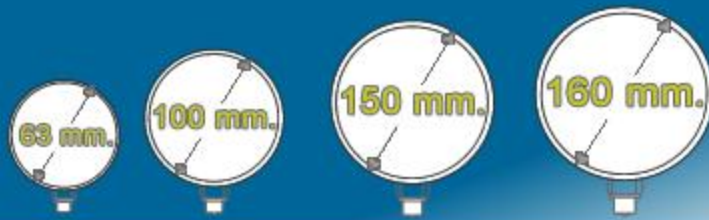
All stainless steel inside bayonet corrosion-proof pressure gauge could measure the pressure of the corrosion gas and liquid or be applied to the corrupt occasion.

Products

Code	Characteristics
MN-S-63 MN-P-63	Φ63 Inside bayonet Vibration-proof pressure gauge
MN-P-100 MN-P-150	Φ100; Φ150 All Stainless Steel pressure gauge (Inside bayonet)
MN-P-100-.. MN-P-150-.. MN-P-160-..	Φ100; Φ150; Φ160 General Vibration-proof pressure gauge (Inside bayonet, Installation)

Stainless Steel Pressure Gauge

MN-S MN-P

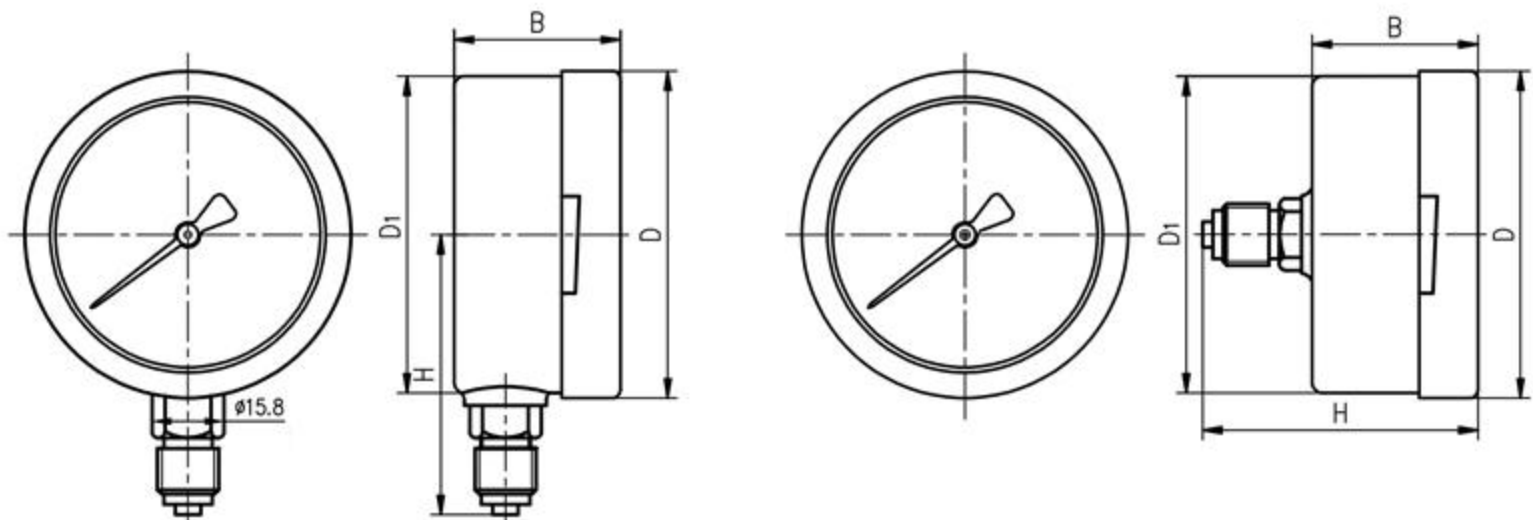


Technical Specifications

- ◆ Bottom mounting & Back mounting
- ◆ 1-piece type socket, Inside bayonet case with ring
- ◆ Stainless steel Internals or Brass Internals, 304 original stainless steel case.
- ◆ Dry type or Glycerin oil filled available
- ◆ M14X1.5; NPT1/4; G1/4 connection
- ◆ Accuracy: $\pm 2.5\%$, optional $\pm 1.6\%$
- ◆ Range: 1 to 1000 Bar
- ◆ Ambient temperature:
Glycerin filled: -5°C – 60°C ; dry type: -40 – 60°C

Type	Type code	
	Bottom mounting	Back mounting
Brass internals, dry type	MN-S-63-Bottom	MN-S-63-Back
Brass internals, liquid filling	MN-S-63-...-Bottom	MN-S-63-...-Back
Stainless Steel internals, dry type	MN-P-63-Bottom	MN-P-63-Back
Stainless Steel internals, liquid filling	MN-P-63-...-Bottom	MN-P-63-...-Back

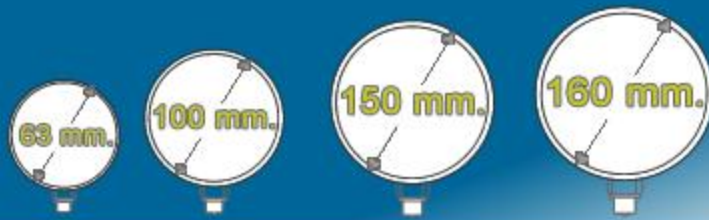
Dimensions (mm.)



Type	D	D1	B	H
Bottom Connection	$\Phi 64$	$\Phi 62$	33	54.5
Back Connection	$\Phi 64$	$\Phi 62$	33	52.5

Stainless Steel Pressure Gauge

MN-S MN-P



Specifications

- ◆ Standard executive: EN 837
- ◆ Diameter: 100mm; 150mm
- ◆ Accuracy: $\pm 1.6\%$ ($\pm 1\%$ available)
- ◆ Ranges: -1 ~ 1000 Bar
- ◆ Degree of protection: IP65
- ◆ Ambient temperature: $-40^{\circ}\text{C} \sim 70^{\circ}\text{C}$.
Maximum temperature: $+200^{\circ}\text{C}$ Max,
- ◆ Connection: M20X1.5, G1/2", 1/2" NPT, G3/8", 3/8" NPT
- ◆ Case: AISI 304 original color
(Polishing available); Inside bayonet
- ◆ Socket: AISI 304 original color
(22x22 Square Stainless Steel)
- ◆ Bourdon tube: AISI 316 Argon-arc welding
- ◆ Internals: 304 Stainless Steel
- ◆ Window: instrument plain glass
(Laminated safety glass, organic glass available)

Ranges		
-1~0 Bar	0~0.6 Bar	0~25 Bar
-1~0.6 Bar	0~1 Bar	0~40 Bar
-1~1.5 Bar	0~1.6 Bar	0~60 Bar
-1~3 Bar	0~2.5 Bar	0~100 Bar
-1~5 Bar	0~4 Bar	0~160 Bar
-1~9 Bar	0~6 Bar	0~250 Bar
-1~15 Bar	0~10 Bar	0~400 Bar
-1~24 Bar	0~16 Bar	0~600 Bar
		0~1000 Bar

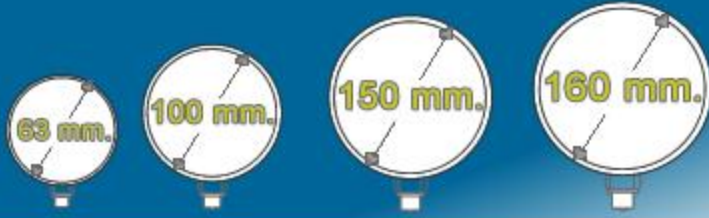
How to Order

Please specify the following properties when the manometer ordering.

- Model number,
- Dial size,
- Dry or Liquid filled (GD=Glycerin filled, SD= Silicone filled)
- Range and pressure unit
- Panel mounting; Front Flange (FF), Rear Flange (RF), U-Clamp (U)
- Connection type,
- Connection thread,
- Accuracy,
- If necessary; Special scale, Diaphragm seals,...

For example: **MN-P-100-(0/160 Bar)-U-Back-R1/2-1.6**

Stainless Steel Pressure Gauge



MN-S
MN-P

Mounting Types

Bottom connecting



Bottom connecting, Surface flange mounted



Lower back connecting, Liquid filled



Lower back connecting, Surface flange mounted



Lower back connecting, U-clamp panel mounted

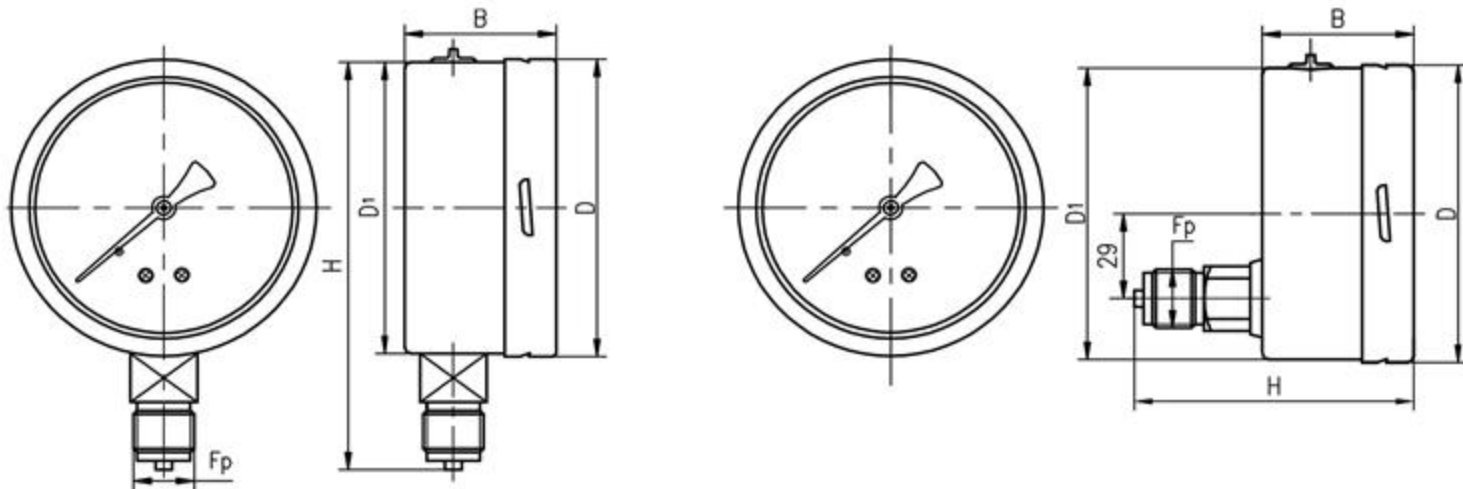


Stainless Steel Pressure Gauge

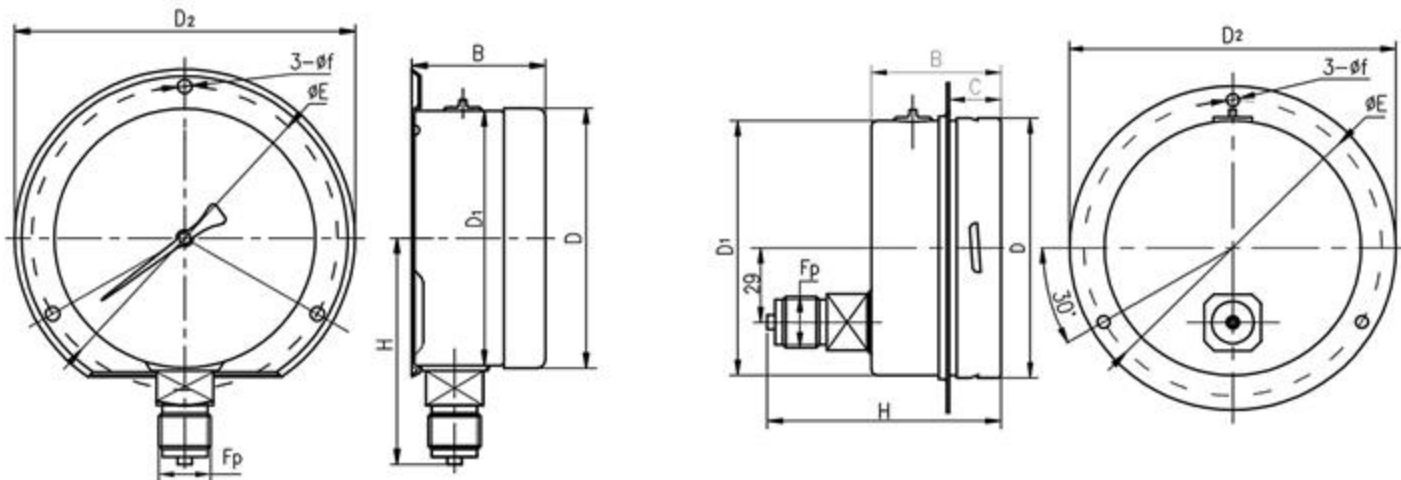


MN-S
MN-P

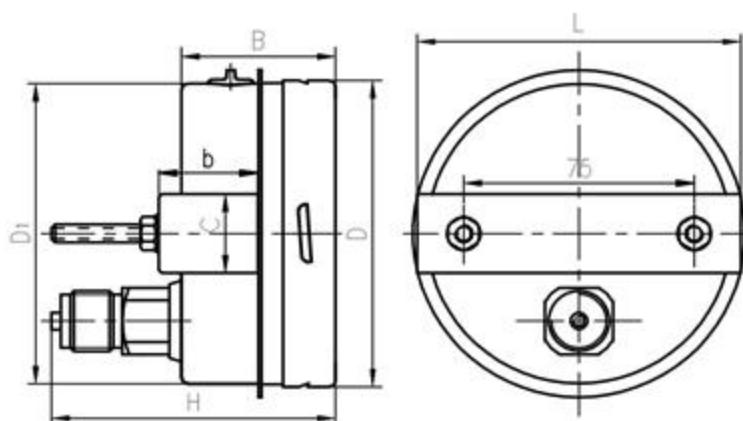
Dimensions (mm.)



Diameter	D	D1	B	H	Fp	D2	ΦE	Φf
Φ 100	101	99	50	138/135	M20X1.5/NPT1/2	131.5	118	5.5
Φ 150	149	147	50	192/189	M20X1.5/NPT1/2	181	162	6



Diameter	D	D1	B	H	Fp	D2	ΦE	Φf
Φ 100	101	99	50	92/89	M20X1.5/NPT1/2	128	117.5	5.5
Φ 150	149	147	50	91/88	M20X1.5/NPT1/2	180	165	6



Diameter	D	D1	B	H	Fp	b	c	L
Φ 100	101	99	50	92/89	M20X1.5/NPT1/2	32	26	106

Liquid Filled Stainless Pressure Gauge



MN-S
MN-P



Specifications

- ◆ Standard executive: EN 837
- ◆ Diameter: 100mm; 150mm; 160mm
- ◆ Accuracy: $\pm 1.6\%$ ($\pm 1\%$ available)
- ◆ Ranges: -1 ~ 1000 Bar (See range table)
- ◆ Degree of protection: IP65
- ◆ Ambient temperature: $-5^{\circ}\text{C} \sim +60^{\circ}\text{C}$
- ◆ Connection: M20X1.5, G1/2", 1/2" NPT, G3/8", 3/8" NPT
- ◆ Case: Stainless steel
- ◆ Socket: AISI 304 SS
- ◆ Bourdon tube: AISI 316 SS
- ◆ Seal: EPDM
- ◆ Liquid filling: Glycerin
- ◆ Internals: Stainless Steel
- ◆ Window: Instrument plain glass
(Laminated safety glass, organic glass available)

Ranges		
-1~0 Bar	0~0.6 Bar	0~25 Bar
-1~0.6 Bar	0~1 Bar	0~40 Bar
-1~1.5 Bar	0~1.6 Bar	0~60 Bar
-1~3 Bar	0~2.5 Bar	0~100 Bar
-1~5 Bar	0~4 Bar	0~160 Bar
-1~9 Bar	0~6 Bar	0~250 Bar
-1~15 Bar	0~10 Bar	0~400 Bar
-1~24 Bar	0~16 Bar	0~600 Bar
		0~1000 Bar

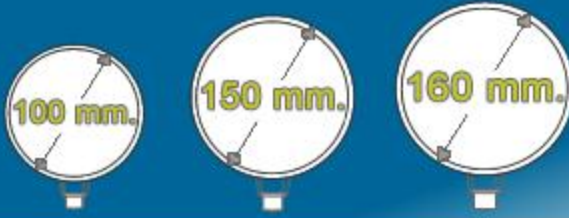
How to Order

Please specify the following properties when the manometer ordering.

- Model number,
- Dial size,
- Dry or Liquid filled (GD=Glycerin filled, SD= Silicone filled)
- Range and pressure unit
- Panel mounting; Front Flange (FF), Rear Flange (RF)
- Connection type,
- Connection thread,
- Accuracy,
- If necessary; special scale,...

For example: **MN-P-GL-160-(0/10 Bar)-Bottom-R1/2-1**

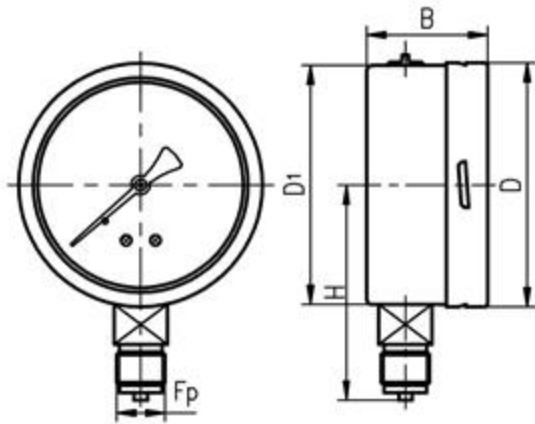
Liquid Filled Stainless Pressure Gauge



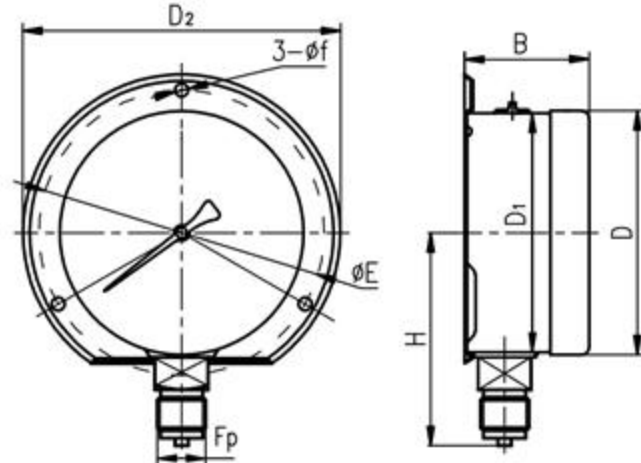
MN-S
MN-P

Dimensions (mm.)

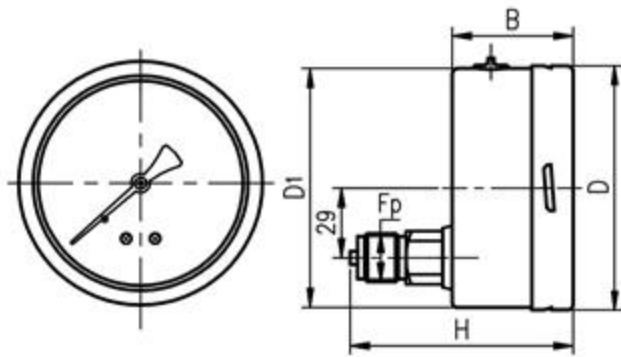
Directly mounting



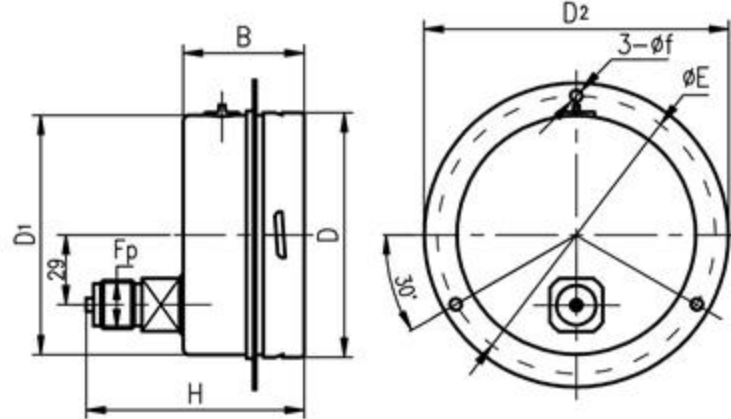
Bayonet flange mounting



Directly mounting



Bayonet flange mounting



Diameter	D	D1	B	H	Fp	D2	φ E	φ f
φ 100	101	99	50	89/86	M20x1.5/NPT1/2	131.5	118	5.5
φ 150	149	147	50	118/115	M20x1.5/NPT1/2	181	162	6
φ 160	161	159	50	124/121	M20x1.5/NPT1/2	196	178	5.8

Diameter	D	D1	B	H	Fp	D2	φ E	φ f
φ 100	101	99	50	92/89	M20x1.5/NPT1/2	128	117.5	5.5
φ 150	149	147	50	91/88	M20x1.5/NPT1/2	180	165	6
φ 160	161	159	50	89/86	M20x1.5/NPT1/2	196	178	5.8