

All Stainless Steel Safety Pressure Gauge

► MN-P-Sf

Service intended

It is applied to the occasions which must choose the Safety Pressure Gauge with laminated safety glass. It should be used to measure the pressure of the corrosion, non-viscosity and non-cristal gas and liquid, and could be in the strong corrosion occasion.

Dry Type

MN-P-Sf-63
MN-P-Sf-100
MN-P-Sf-160

Liquid Filled

MN-P-Sf-63-..
MN-P-Sf-100-..
MN-P-Sf-160-..



Ranges		
-1~0 Bar	0~0.6 Bar	0~25 Bar
-1~0.6 Bar	0~1 Bar	0~40 Bar
-1~1.5 Bar	0~1.6 Bar	0~60 Bar
-1~3 Bar	0~2.5 Bar	0~100 Bar
-1~5 Bar	0~4 Bar	0~160 Bar
-1~9 Bar	0~6 Bar	0~250 Bar
-1~15 Bar	0~10 Bar	0~400 Bar
-1~24 Bar	0~16 Bar	0~600 Bar
		0~1000 Bar
		0~1600 Bar



All Stainless Steel Safety Pressure Gauge

► MN-P-Sf

Specifications

- ◆ Accuracy: $\Phi 63$, 2.5%, $\pm 1.6\%$; $\Phi 100, \Phi 160$, $\pm 1.6\%, 1\%$
- ◆ Range:
 - 63 mm: 0...1 to 0...1000 bar;
 - 100 mm: 0...0.6 to 0...1000 bar;
 - 160 mm: 0...0.6 to 0...1600 bar;
- ◆ Working pressure:
 - 63 mm: Steady: $3/4 \times$ full scale value; Fluctuating: $2/3 \times$ full scale value; Short time: $1.2 \times$ full scale value
 - 100 and 160 mm: Steady: $3/4 \times$ full scale value;
 - Fluctuating: $0.9 \times$ full scale value; Short time: $1.3 \times$ full scale value
- ◆ Operating temperature: Ambient: $-40 \dots +60^\circ\text{C}$;
Medium: $+200^\circ\text{C}$ maximum;
Alternating type: $+100^\circ\text{C}$ maximum
- ◆ Degree of protection: IP54 per EN 60 529 / IEC 529; Liquid filling type: Ip65
- ◆ Socket: AISI 304,
External thread: $\Phi 63$ G1/4", $\Phi 100$, $\Phi 160$ G1/2" (other threads are available)
- ◆ Pressure element: AISI 316L
- ◆ Liquid filling: Glycerin or dry obturation type, dry (no liquid filled)
- ◆ Internals: Stainless Steel
- ◆ Dial: White Aluminium with black marks
- ◆ Pointer: Black aluminium
- ◆ Case: Stainless Steel, Burst disk, pressure blow out back.
- ◆ Window: Laminated safety glass

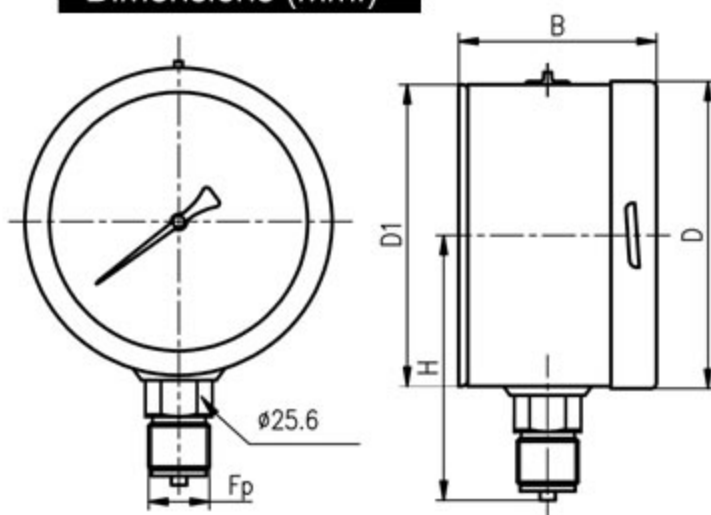
How to Order

Please specify the following properties when the manometer ordering.

- Manometer Model number,
- Dial size,
- Dry or Liquid filled (GD=Glycerin filled, SD=Silicone filled)
- Range and pressure unit
- Panel mounting; Front Flange (FF), Rear Flange (RF),
- Connection type,
- Connection thread,
- Accuracy,
- (If necessary; special scale, contact model..)

For example: **MN-P-Sf-160-(0/150 PSI)-Back-R1/2-1**

Dimensions (mm.)



Diameter	D	D1	B	H	Fp
$\Phi 63$	64	63	40	62/65	M14 x 1.5/NPT1/4
$\Phi 100$	101	100	60	87/90	M20 x 1.5/NPT1/2
$\Phi 160$	161	160	75	120/123	M20 x 1.5/NPT1/2