

## Stainless Steel Horizontal Diaphragm Gauges

► **YMN-P**

### Features

- ◆ Minimum range 10 mBar
- ◆ Oil filled vibration proof type is optional
- ◆ PTFE cover

### Product overview

YMN-Ptype Stainless Steel Corrosion-Proof Diaphragm Gauges are built for measuring low pressure of gas or liquid in chemical, petroleum, textile industries, where strong corrosion and viscous media ( non-crystallized ) are a concern. Different diaphragm materials are available to be compatible with process fluids.



### Technical Specifications

- ◆ Accuracy:  $\pm 2.5\%$
- ◆ Range: -100 mbar, -40 mbar, -25 mBar.. and any connection of positive / negative pressure.
- ◆ Nominal size: 100mm, 160mm
- ◆ Working pressure: Steady: 3/4 of full scale value; Fluctuating: 3/2 of full scale value; Short time: full scale value.
- ◆ Ambient temperature:  $-40^{\circ}\text{C} \sim 60^{\circ}\text{C}$
- ◆ Diaphragm material: AISI 316L, PTFE coated
- ◆ Case material: AISI 304
- ◆ Connection body: AISI 316, 316L Fluorin painting
- ◆ Movement material: AISI 304
- ◆ Seal material: fluorine rubber
- ◆ Protection: Type YMN-P/IP55; Type YMN-P/IP65 (Liquid filled)
- ◆ Liquid filling: glycerine (silicon oil and others)
- ◆ Connection: 1) thread connection G 1/2", 1/2" NPT, ...  
2) Flanged connection depend on requests from customers.
- ◆ Flange material: AISI 304, 316, 316L, 316L PTFE coated or lining

TABLE OF RANGES

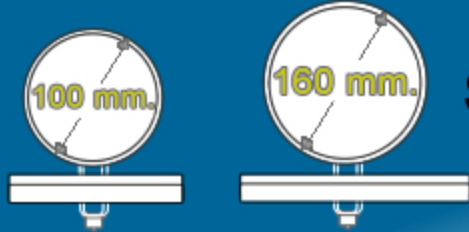
-10 mBar	10 mBar	1.6 Bar
-16 mBar	16 mBar	2.5 Bar
-25 mBar	25 mBar	4 Bar
-40 mBar	40 mBar	6 Bar
-60 mBar	60 mBar	10 Bar
-100 mBar	100 mBar	16 Bar
-160 mBar	160 mBar	25 Bar
-250 mBar	250 mBar	
-400 mBar	400 mBar	
-600 mBar	600 mBar	
-1 Bar	1 Bar	

### How to Order

Please specify the following properties when the manometer ordering.

- Model number,
- Dial size,
- Dry or Liquid filled (GD=Glycerine filled, SD=Silicone filled)
- Range and pressure unit
- Connection thread,
- Accuracy,
- (If necessary; special scale,..)

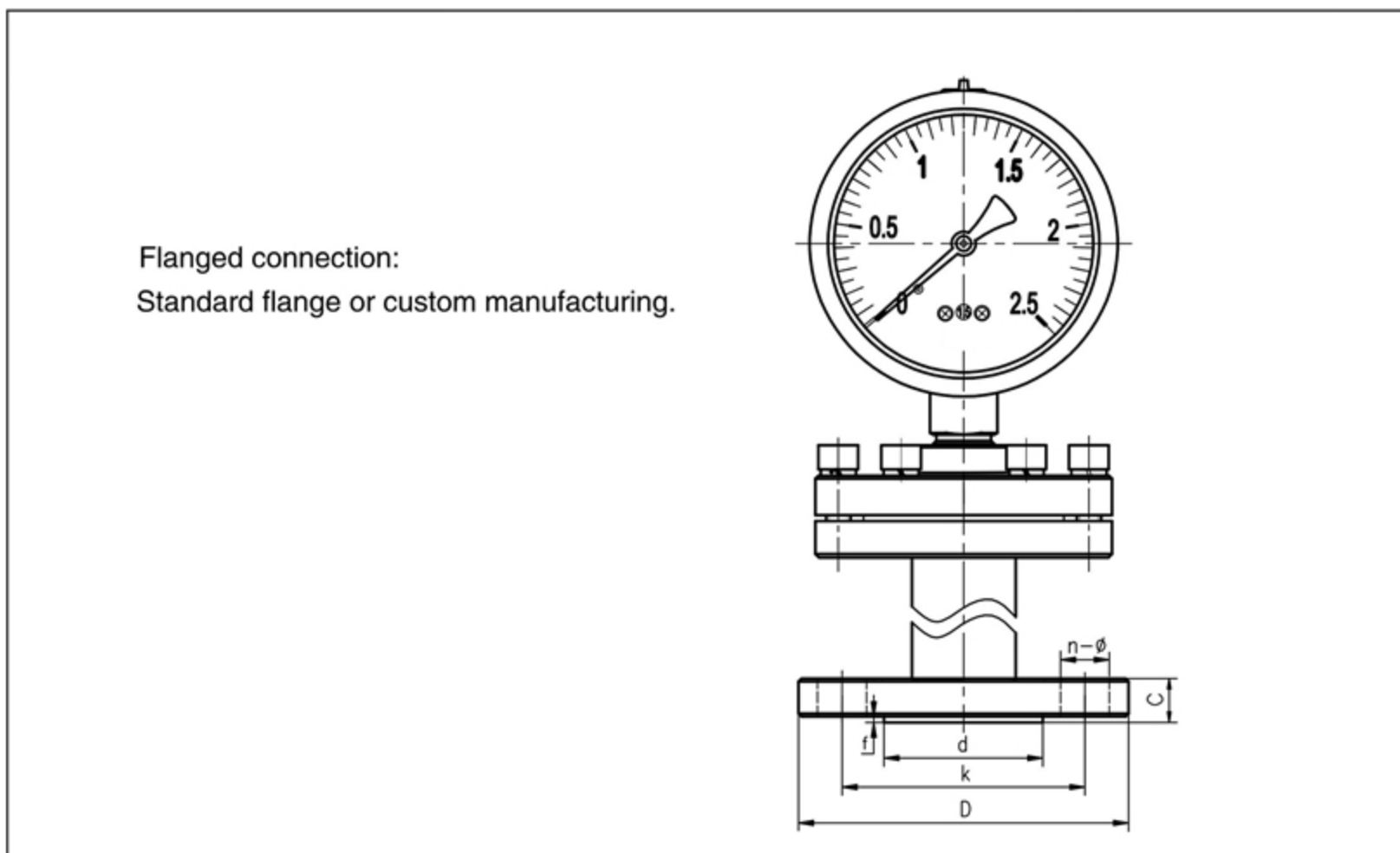
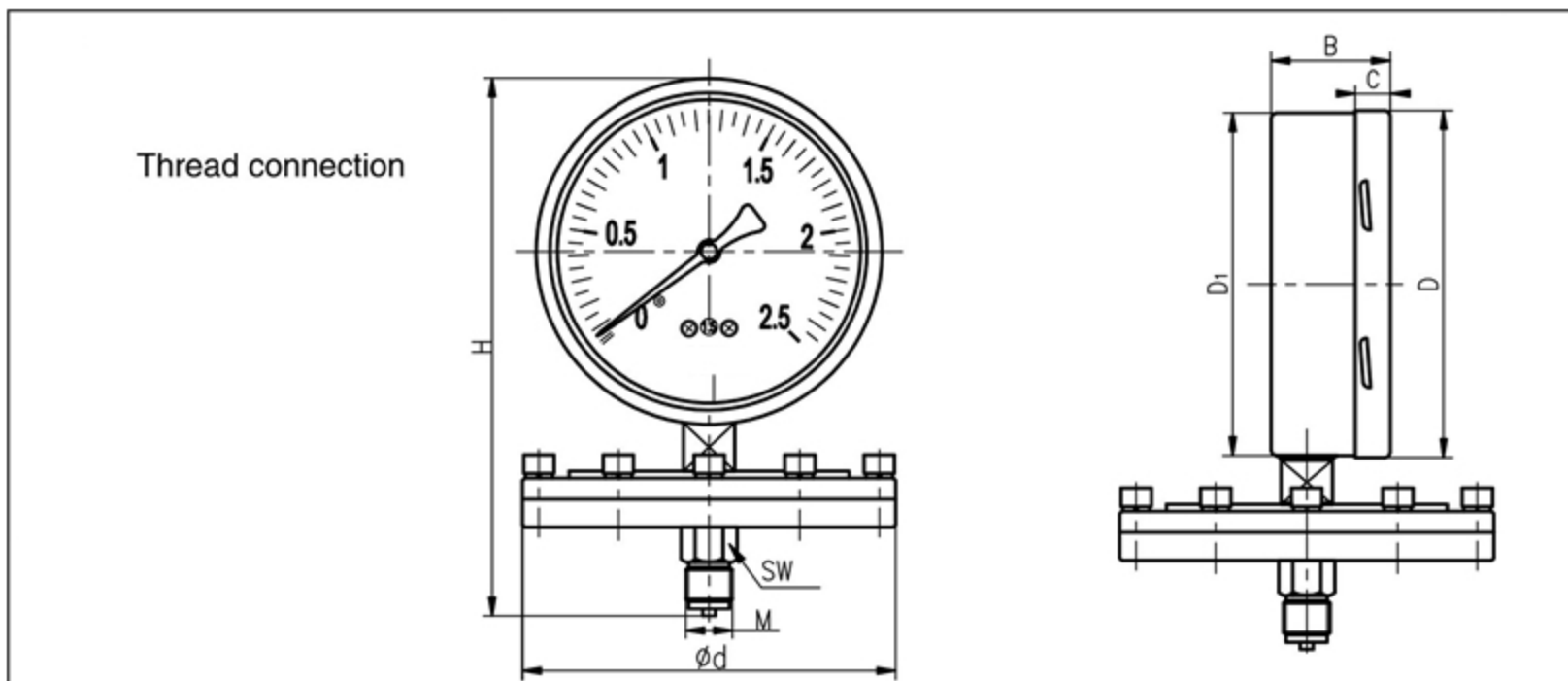
For example: **YMN-P-100-(0/10 mBar)-R1/2-1.6**



# Stainless Steel Horizontal Diaphragm Gauges

► **YMN-P**

## Dimensions (mm.)



Range (Bar)	Gauge Dimensions mm							
	Ød	D	D1	B	C	M	H	SW
≤ 0.25	160	Φ 101	Φ 99	50	17	M20 × 1.5/NPT1/2	184/181	24
		Φ 161	Φ 159	50	17	M20 × 1.5/NPT1/2	244/241	24
≥ 0.4	100	Φ 101	Φ 99	50	17	M20 × 1.5/NPT1/2	186/183	24
		Φ 161	Φ 159	50	17	M20 × 1.5/NPT1/2	246/243	24